

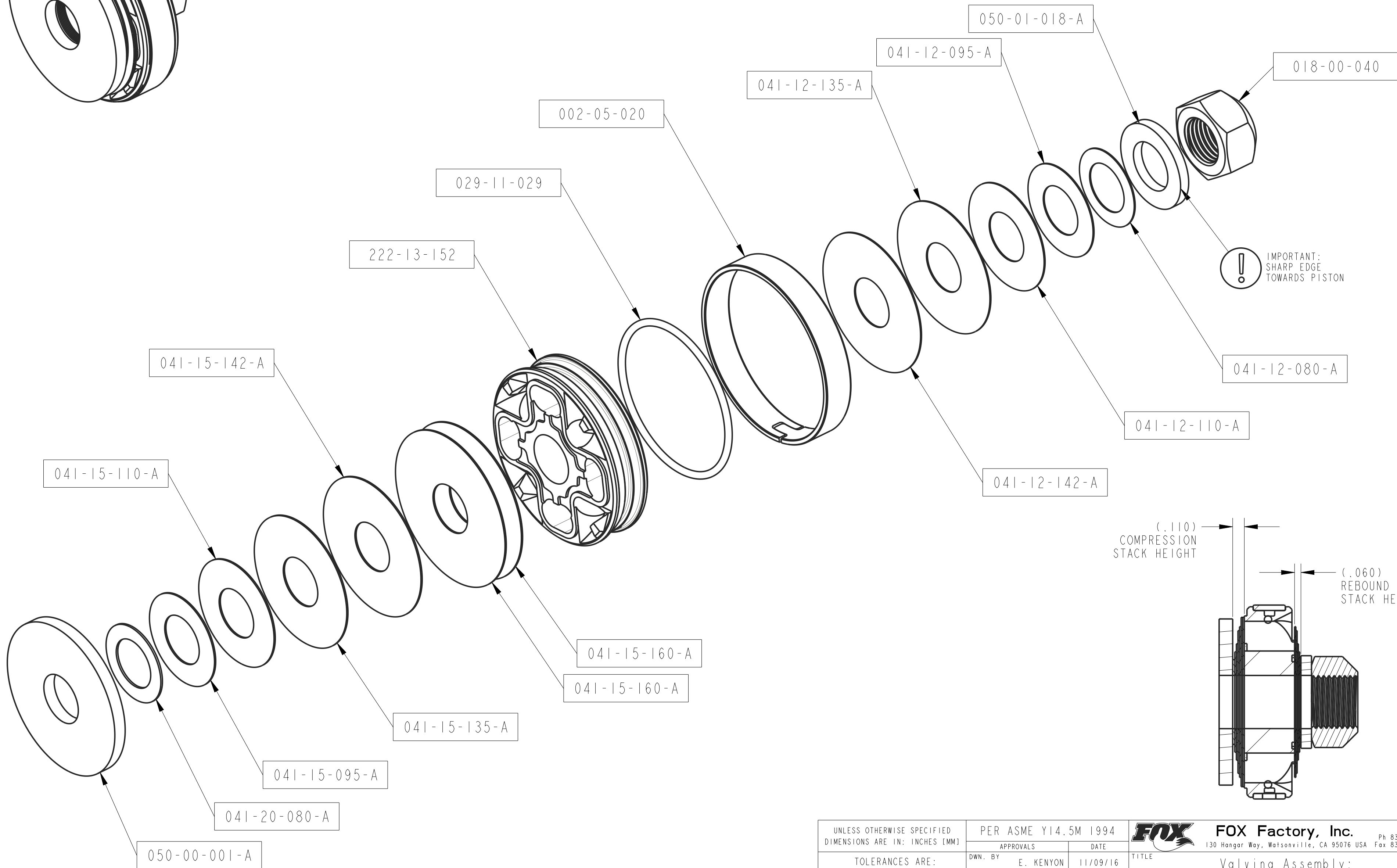
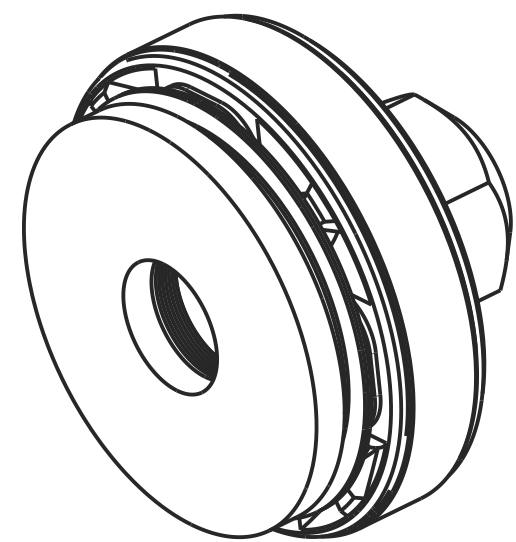
4

3

2

1

REVISIONS				
ZONE	REV	DESCRIPTION	DATE	APPROVED
	A	PRODUCTION RELEASE	11/19/16	EK/BS
	B	CHANGED PISTON, O-RING & WEAR BAND P/N	2/11/19	BS



- NOTES:
- REFERENCE: 2,1/70 (1X Ø.052 BLEED)
 - FIRST APPLICATION: 2.5 FRS IBP 7/8" SHAFT COILOVER

- PROPRIETARY -
THIS DOCUMENT CONTAINS CONFIDENTIAL, PROPRIETARY INFORMATION
THAT IS FOX PROPERTY. DO NOT DISCLOSE TO OR DUPLICATE
FOR OTHERS EXCEPT AS AUTHORIZED BY FOX.

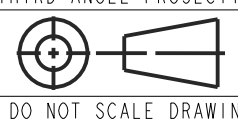
UNLESS OTHERWISE SPECIFIED DIMENSIONS ARE IN: INCHES [MM]	PER ASME Y14.5M 1994	
	APPROVALS	DATE
	DWN. BY E. KENYON	11/09/16
	CHK. BY	
	ENG. B SMITH	10/31/16
THIRD ANGLE PROJECTION	MFG.	
	ADD.	

FOX FOX Factory, Inc.
130 Hangar Way, Watsonville, CA 95076 USA Ph 831-768-1100 Fax 831-768-9312

TITLE: Valving Assembly:
2.0 Factory Series,
Tuned Combination 008

SIZE DWG. NO. **C** **807-24-008**

PLOT SCALE | .50:1 | SHEET 1 OF 2



4

3

2

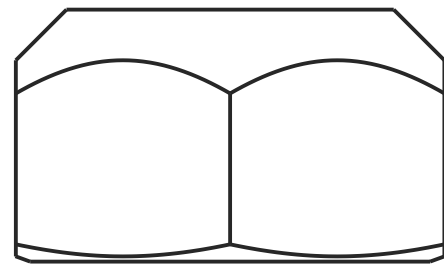
1

4

3

2

1



BACK UP WASHER



0.800 X .012



0.950 X .012



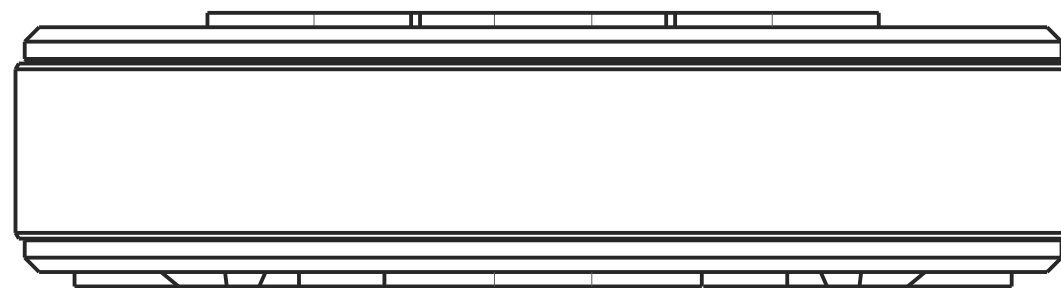
1.100 X .012



1.350 X .012



1.425 X .012



(2X) 1.600 X .015



1.425 X .015



1.350 X .015



1.100 X .015



0.950 X .015



0.800 X .020



TOP OUT WASHER

D

D

C

C

B

B

A

A

- PROPRIETARY -
 THIS DOCUMENT CONTAINS CONFIDENTIAL, PROPRIETARY INFORMATION
 THAT IS FOX PROPERTY. DO NOT DISCLOSE TO OR DUPLICATE
 FOR OTHERS EXCEPT AS AUTHORIZED BY FOX.

SIZE C	DWG. NO. 807-24-008	REV.
PLOT SCALE 3.00:1 SHEET		2 OF 2

4

3

2

1