



INSTALLATION INSTRUCTIONS

Product: B1 Body Lift
Part Number: JKS9901

Applications: CJ8, 1978-82

517-278-1226 • tech@jksmfg.com • www.jksmfg.com
491 W. Garfield Avenue, Coldwater, MI 49036

Welcome

Congratulations on purchasing a new B1 Body Lift from JKS® Manufacturing. We are committed to providing you with the best products available and your satisfaction is our first priority.

We hope you enjoy your JKS® purchase and are here to help if you still have questions after reviewing this safety information and instructions. Contact us online at www.jksmfg.com or by phone at 877-533-7557.

Tools Required

- Metric/Standard Socket Wrench Set
- Torque Wrench
- Tape Measure
- Medium Strength Threadlocker
- Hydraulic Floor Jack
- Sturdy Block of Wood (to protect body)
- Center Punch and Hammer
- 3/8" Drill Bit
- 1/8" Drill Bit or Torch * (for removing plastic rivets in steering slip shaft)
- Reciprocating Saw or Die Grinder with Cut-Off Wheel * (for trimming fan shroud)
- Wire Brush *
- Factory Service Manual (recommended)

** Asterisk denotes tools that are not required for some applications. Thoroughly read instructions first to determine which tools will be required for your application.*



Always Wear Protective Gear
Safety glasses and protective gloves are required.

Parts



	Description	QTY
A	Dura-Thane™ Body Puck	13
B	3/8" x 3-1/2" Bolt	8
C	3/8" x 4" Bolt	2
D	3/8" Flat Washer	10
E	7/16" x 4" Bolt	3
F	7/16" Flat Washer	3

NOTICE

One Side At A Time

Body lift must be installed on one side of vehicle at a time.

Important Product Safety Information

For your safety and the safety of others, please read all instructions and warnings in this pamphlet and your Jeep® owner's manual and off road driving supplement before attempting installation. Within these instructions the following signal words refer to important product safety information:

WARNING

Indicates hazards or unsafe situations which could result in **severe personal injury or death**.

CAUTION

Indicates hazards or unsafe situations which could result in property damage or minor to moderate personal injury.

NOTICE

Careful attention is required to this operation that generally does not relate to personal injury, although damage to your JKS product or other property may result if you fail to follow instructions.

WARNING

Higher Rollover Risk



Modifying your Jeep® to improve off-road performance may result in vehicle handling different than as factory equipped, including increased ride-height and/or chassis articulation; reduced lateral stability and higher risk of roll-over or other accident. Also, owner's choice of larger tire and wheel combinations may require additional braking force or increased stopping distances.

To reduce risk of serious injury and accident:

- Choose modifications that balance your actual highway & off-road use.
- Avoid sharp turns, abrupt maneuvers or steep side-cambers.
- Avoid other maneuvering conditions which may cause the vehicle to trip, roll, lose traction or compromise your ability to safely brake in an emergency.
- Routinely inspect your vehicle components for unusual wear or off-road damage. Repair or Replace any unserviceable components before use.
- Do not modify or combine body lifts with other mechanical lifts contrary to manufacturers' or Jeep® recommendations & warnings.
- Acquaint any other drivers with your vehicle modifications and handling.
- Always wear seat belts and/or appropriate off-road restraints, reduce your speed, Tread Lightly®.

Installation

❑ 1. **UNBOLT FAN SHROUD**

- Remove the four bolts holding the plastic fan shroud and radiator to the vehicle. Use the bolts to temporarily support the radiator, and remove fan shroud from vehicle.

❑ 2. **LOOSEN BODY MOUNTS**

- Locate all thirteen body mount bolts on vehicle. Refer to the BODY MOUNT LOCATION DIAGRAM for assistance.
- Loosen each body mount bolt, but DO NOT REMOVE until instructed.
- Remove the bolt from body mount ① located beneath the grill.
- Remove bolts from body mounts ② ③ ④ ⑤ ⑥ and ⑦ on DRIVER SIDE of vehicle only.

NOTE: Body mount ⑤ is located between fuel tank and rear axle.

❑ 3. **INSERT BODY PUCKS**

- Position a hydraulic jack next to body mount ③ on DRIVER SIDE of vehicle.
- Place a sturdy wooden block between the hydraulic jack pad and channel portion of vehicle body for protection.

- Carefully raise the vehicle body just enough to insert 1.25" Body Pucks (A) between body and factory body mounts ② ③ ④ ⑤ ⑥ and ⑦.

NOTE: Recessed bottom of Body Pucks must encapsulate factory body mounts.

- With Body Pucks (A) inserted, slowly lower the vehicle body onto mounts, ensuring correct alignment of body on chassis.
- Apply medium strength thread locking compound to four of the supplied 3/8" x 3-1/2" Bolts (B), one of the 3/8" x 4" Bolts (C), and one of the 7/16" x 4" Bolts (E).
- Insert the 3/8" x 3-1/2" Bolts (B) with 3/8" Flat Washers (D) into body mount positions ③ ④ ⑤, and ⑥. Insert the 3/8" x 4" Bolt (C) with 3/8" Flat Washer (D) into body mount position ②. Insert the 7/16" x 4" Bolt (E) with 7/16" Flat Washer (F) into body mount position ⑦. Start threads but DO NOT TIGHTEN bolts until instructed.
- Repeat this procedure with body mounts ② ③ ④ ⑤ ⑥ and ⑦ on the PASSENGER SIDE of vehicle.
- Insert the last remaining Body Puck (A) at body mount ① located beneath the grill.
- Apply medium strength thread locking compound to the last remaining 7/16" x 4" Bolt (E) and insert with a 7/16" Flat Washer (F) into body mount position ①.
- Using a torque wrench, tighten all 3/8" and 7/16" Bolts (B, C and E) to 30-35 ft-lbs.

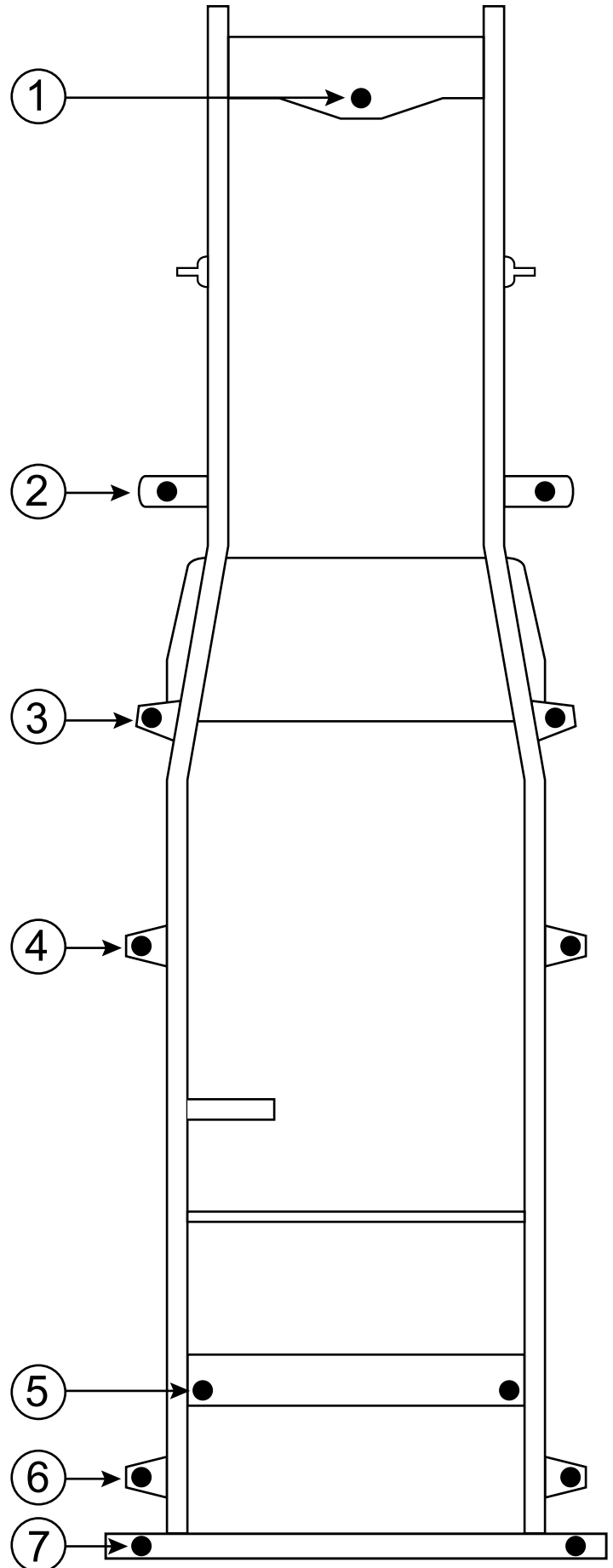
NOTE: Use care when tightening bolts to avoid crushing factory rubber body mounts.

❑ 4. MODIFY FAN SHROUD

- Locate the four mounting holes on the plastic fan shroud.
- Measure exactly 1" above the factory mounting holes and mark the location with a center punch.
- Drill a new 3/8" hole through all four center punched marks.

NOTE: Grind away any plastic reinforcement webbing that interferes with re-installation of mounting bolts.

- Test fit the fan shroud to the radiator by aligning with the new mounting holes.
- Check for interference between the fan shroud and radiator hoses, fan blades, or any other objects. If necessary, trim the fan shroud until it completely clears any interferences.
- Secure the fan shroud and radiator to the vehicle with the original four mounting bolts.



❑ 5. CHECK T-CASE OPERATION

- Check operation of the shift lever to ensure the transfer case fully engages all ranges.

NOTE: If necessary, adjust linkage between shift lever and bell crank. If interference is experienced, it may be necessary to trim the floor to provide sufficient shift lever clearance.

❑ 6. CHECK FOR STEERING BIND

- Drive vehicle a short distance while checking for binding in the steering wheel. If no steering bind exists, skip this section and proceed to step 7.
- If steering bind exists, remove the steering slip shaft from the vehicle and locate the two plastic rivets that prevent it from slipping.
- Remove the two plastic rivets by drilling through them with a 1/8" drill bit.

NOTE: Alternatively, the plastic rivets may also be removed by heating them with a torch until they melt out.

- Use a wire brush to clean the area, and re-install the steering slip shaft assembly to vehicle.

❑ 7. POST-INSTALLATION

- Check all mounting hardware to ensure it has been correctly installed and tightened to factory torque specifications.
- Check torque specifications for all mounting hardware after driving vehicle 50 miles, and after first time off-road.

Maintenance

Check all torque specifications as part of regular vehicle maintenance schedule.

©2013 JKS Manufacturing, Inc & Aftermarketing, LLC
Revision Date 10/31/2013