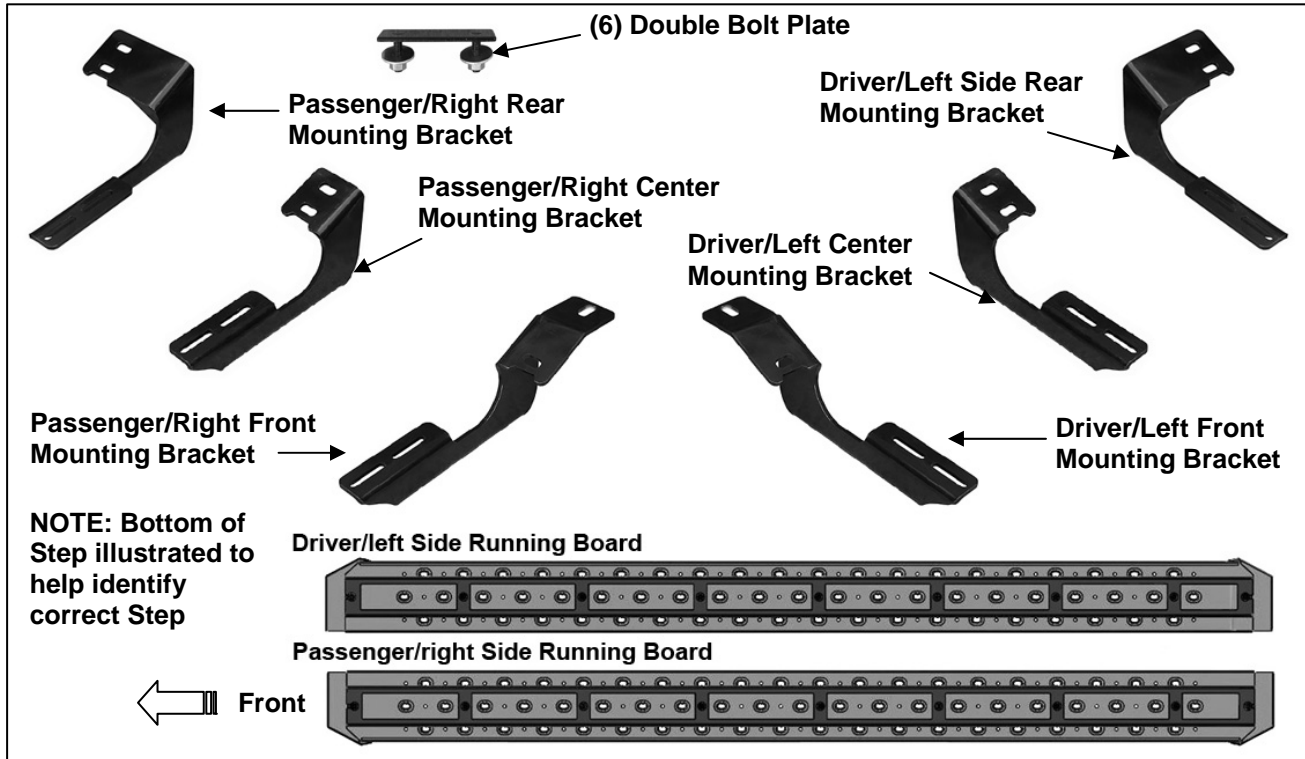


1	Driver/left Step	12	8-1.25 x 25mm Hex Bolt
1	Passenger/right Step	12	8mm x 24mm OD x 2mm Flat Washers
1	Driver/Left Front Mounting Bracket	12	8mm Lock Washers
1	Passenger/Right Front Mounting Bracket	6	6mm Double Bolt Plates
1	Driver/Left Center Mounting Bracket	12	6mm x 22mm OD x 2mm Flat Washers
1	Passenger/Right Center Mounting Bracket	12	6mm Lock Washers
1	Driver/Left Rear Mounting Bracket	12	6mm Hex Nuts
1	Passenger/Right Rear Mounting Bracket		



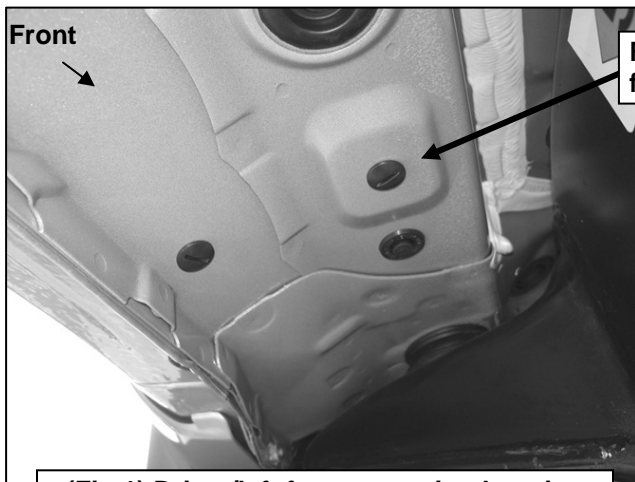
PROCEDURE:

1. REMOVE CONTENTS FROM BOX. VERIFY ALL PARTS ARE PRESENT. READ INSTRUCTIONS CAREFULLY. USE ILLUSTRATION TO IDENTIFY BRACKETS AND STEPS.
2. Starting on the driver side front of the vehicle, remove the plastic plugs or hex bolts covering the (2) threaded holes in the body panel, **(Figure 1)**. Select the driver side front mounting bracket, **(Figure 2)**. Bolt the Bracket to the vehicle using the included (2) 8mm x 25mm hex bolts, (2) 8mm lock washers and (2) 8mm flat washers, **(Figure 3)**. Do not tighten hardware at this time.
3. Next, move along the side of the vehicle to the next mounting location. Select the driver side center mounting bracket, **(Figure 4)**. **IMPORTANT:** Use the picture above to help identify each bracket. Repeat **Step 2** to install the center mounting bracket, **(Figure 5)**.
4. Continue to the last mounting location at the back of the cab, **(Figure 6)**. Repeat **Step 2** to install the driver side rear bracket, **(Figures 7 & 8)**.
5. Once all (3) brackets have been fully installed, select the driver side Step. **IMPORTANT:** Use the picture above to help identify the driver side step.

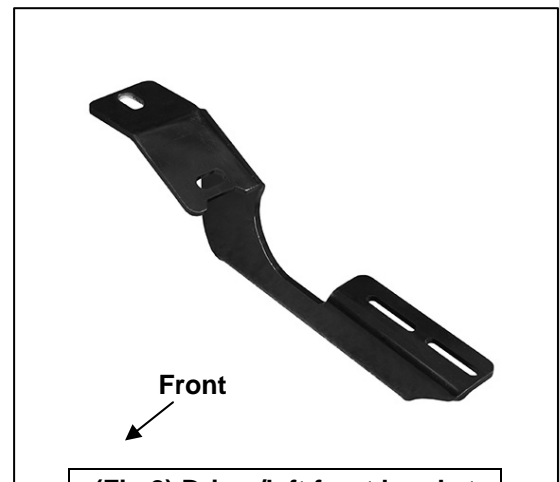
6. Place the step on top of the Brackets. Locate the channels in the bottom of the Step. Select (3) 6mm double bolt plates, **(Figure 9)**. Insert the bolt plates into the channels in the bottom of the step closest to the brackets, **(Figure 10)**. Lift the step up and guide the studs through the brackets.
7. Attach the step to the brackets with (6) 6mm flat washers, (6) 6mm lock washers and (6) 6mm hex nuts, **(Figure 11)**. **NOTE:** The step is designed to fit close to the vehicle. It may be necessary to loosen the bracket hardware slightly and tilt the brackets downward to insert the step between the brackets and the body.
8. Level and adjust the step as necessary and fully tighten all hardware.
9. Repeat **Steps 2—8** for passenger side step installation.
10. Do periodic inspections to the installation to make sure that all hardware is secure and tight.

To protect your investment, wax this product after installing. Regular waxing is recommended to add a protective layer over the finish. Do not use any type of polish or wax that may contain abrasives that could damage the finish. Mild soap may be used to clean the Step.

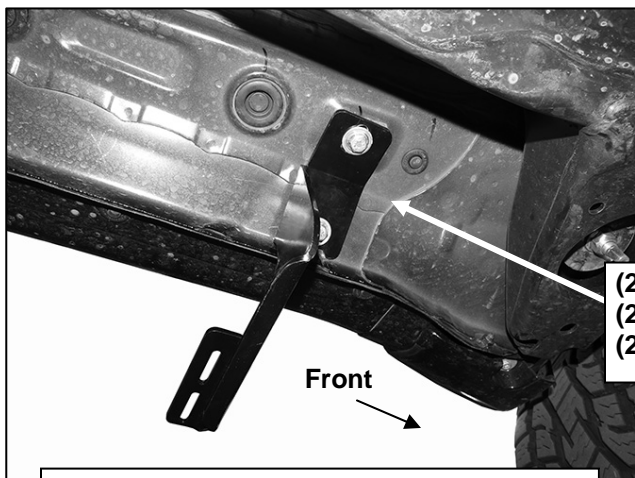
Driver Side Installation Pictured



(Fig 1) Driver/left front mounting location

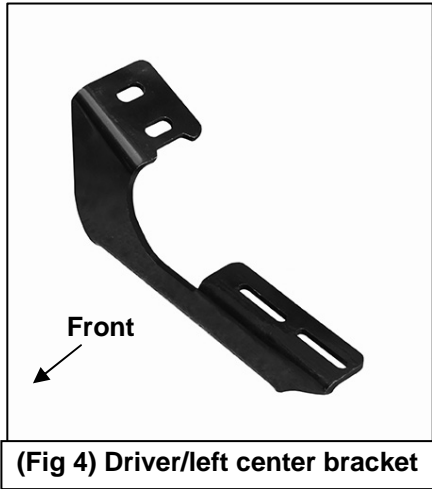


(Fig 2) Driver/left front bracket

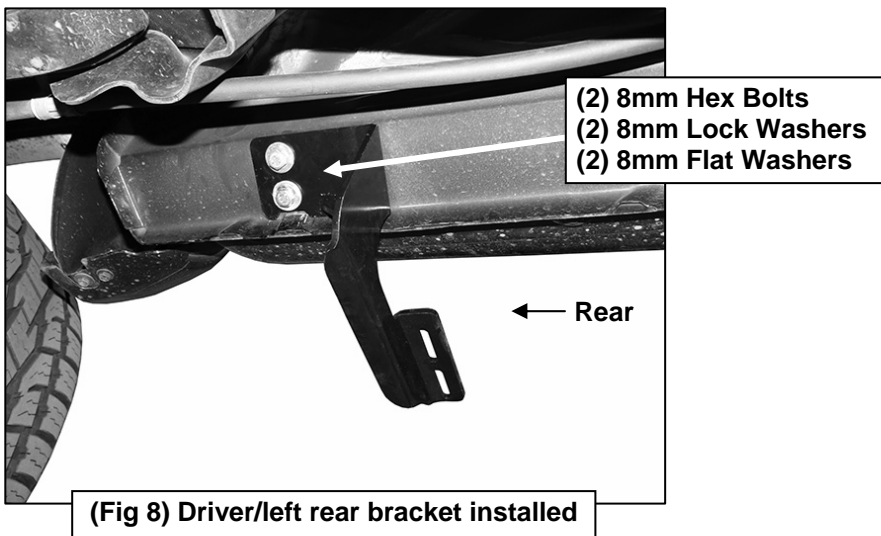
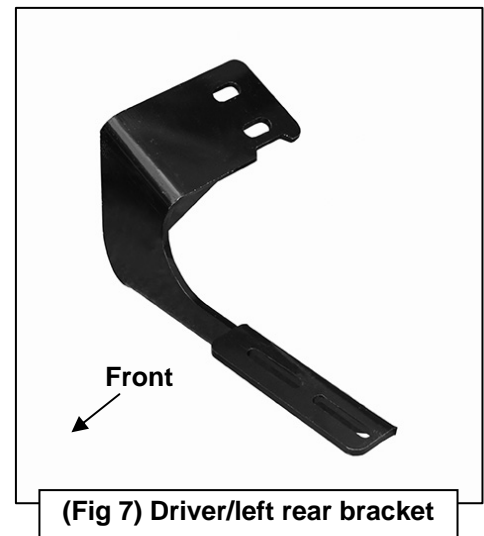
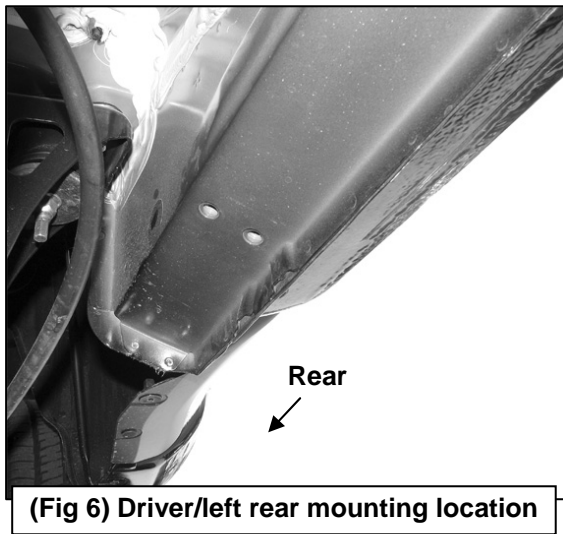
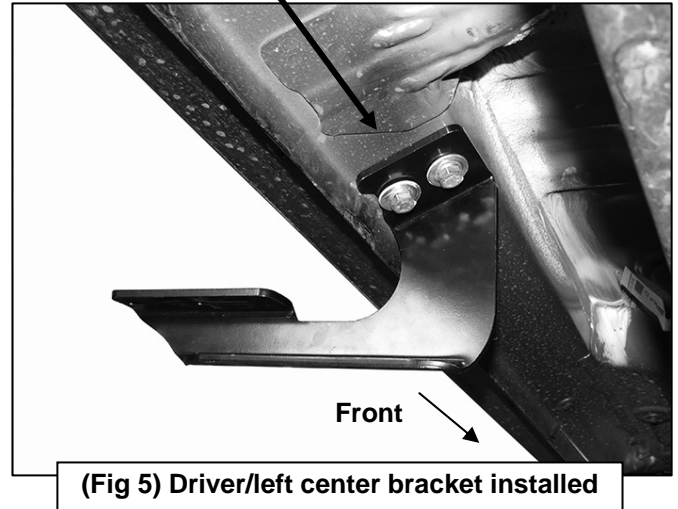


(Fig 3) Driver/left front bracket installed

Driver Side Installation Pictured



- (2) 8mm Hex Bolts
- (2) 8mm Lock Washers
- (2) 8mm Flat Washers

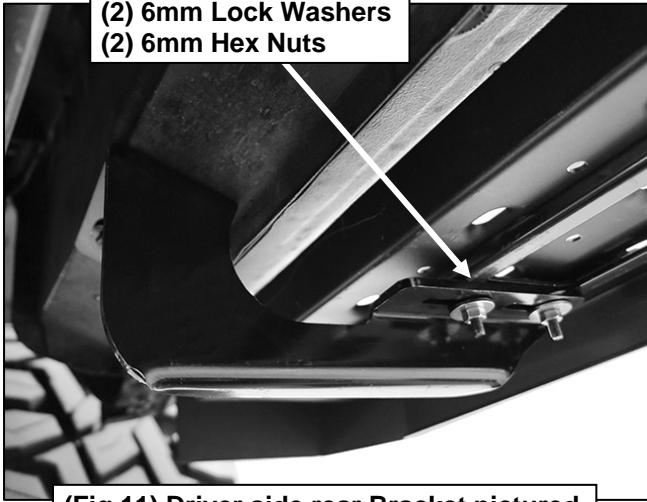


Driver Side Installation Pictured

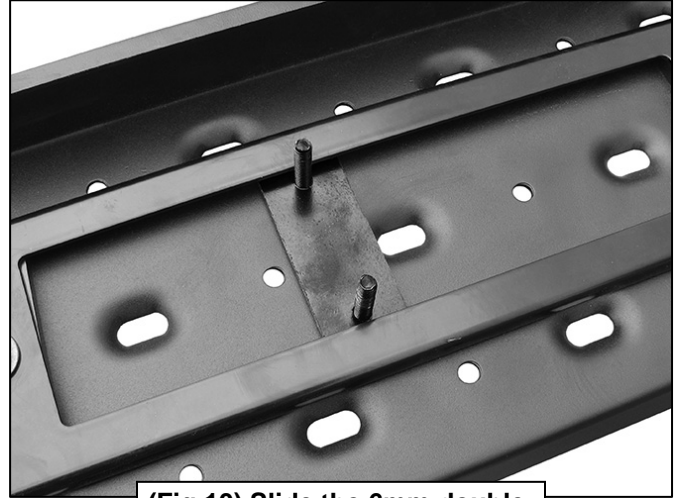


(Fig 9) 6mm Double Bolt Plate

(2) 6mm Flat Washers
(2) 6mm Lock Washers
(2) 6mm Hex Nuts



(Fig 11) Driver side rear Bracket pictured



(Fig 10) Slide the 6mm double bolt plate into channels

Thread Size	Wrench Size	Torque Spec
6mm	10mm	8 ft/lb
8mm	13mm	18 ft/lb
10mm	17mm	37 ft/lb
12mm	18mm	65 ft/lb

By purchasing any item sold by Rough Country, LLC, the buyer expressly warrants that he/she is in compliance with all applicable, State, and Local laws and regulations regarding the purchase, ownership, and use of the item. It shall be the buyer's responsibility to comply with all Federal, State and Local laws governing the sales of any items listed, illustrated or sold. The buyer expressly agrees to indemnify and hold harmless Rough Country, LLC for all claims resulting directly or indirectly from the purchase, ownership, or use of the items.